

MICRO SWITCH

A DIVISION OF MINNEAPOLIS-HONEYWELL REGULATOR COMPANY
ROSBURG, ILLINOIS

FED. MFR. CODE 91929

SWITCH-BASIC

CATALOG LISTING

BA-2RV6-A2

BA-2RV6-A2

PAGE 1 OF 1

REPLACES

RELEASE NO. SR 9989

M

DRAWING NUMBER

ISSUE 4

REVISIONS

A	CO-73287-J	JAL	22 NOV 93
B	CO-77390	SAD	8 JUN 94
C	C093346	DLT	26 AUG 98

CHECK

61

DEC

BRJ

CHECK

61

DEC

DAW

CHECK

61

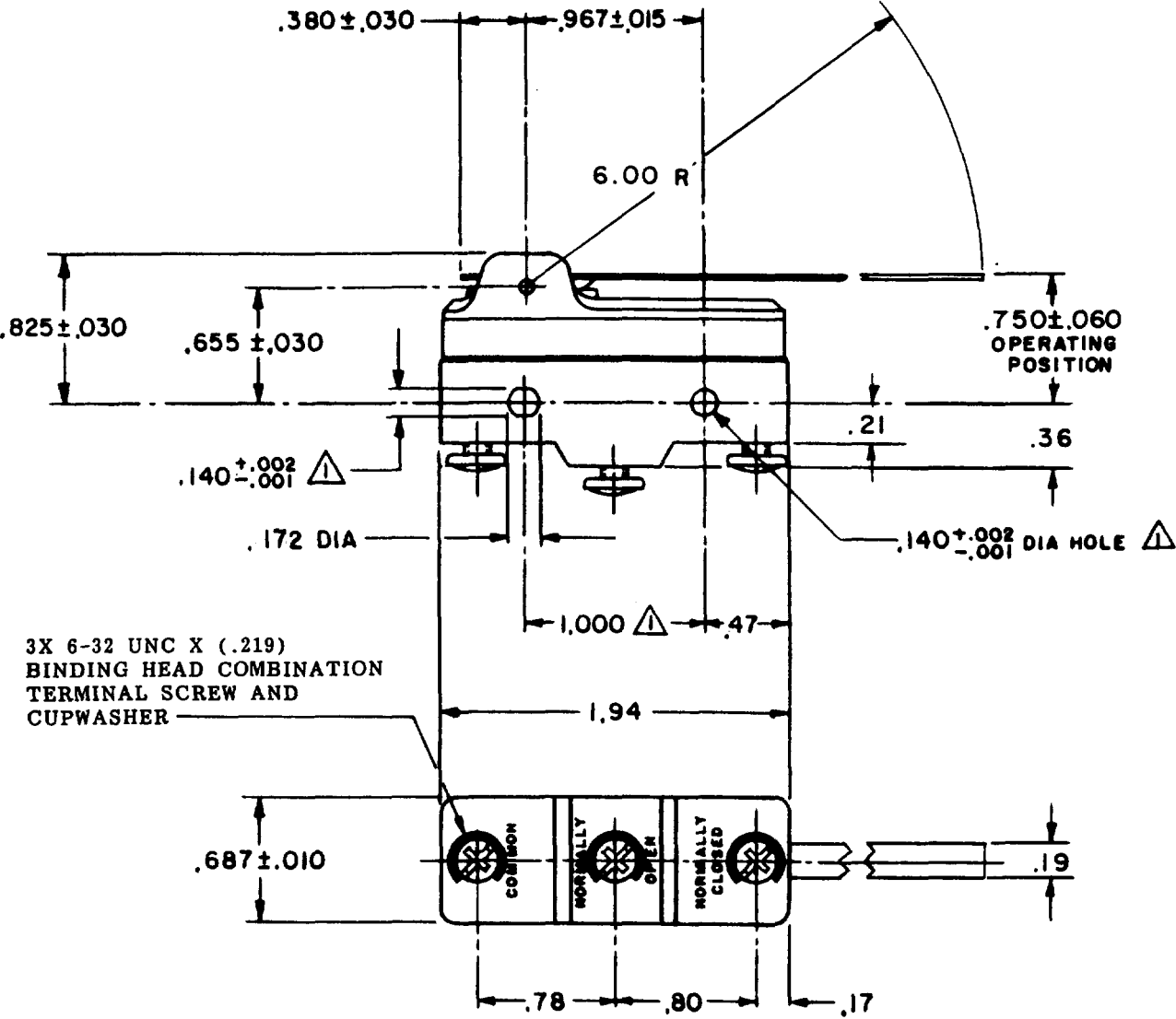
DEC

MBF

DRAWN

FORMTEK

0-50378



NOTE -
 ▲ - MOUNTING HOLES WILL ACCEPT PINS OR SCREWS OF .139 MAX DIA ON $1.000 \pm .002$ CENTERS

THIS DRAWING COVERS A PROPRIETARY ITEM AND IS THE PROPERTY OF MICRO SWITCH, A DIVISION OF MINNEAPOLIS-HONEYWELL REGULATOR CO. THIS DRAWING IS NOT TO BE COPIED OR USED WITHOUT THE APPROVAL OF MICRO SWITCH.

CHARACTERISTICS	ELECTRICAL DATA		SCALE FULL
OPERATING FORCE ----- 1 OZ MAX	CONTACT ARRANGEMENT S P D T	BREAK DISTANCE .020 MIN	DO NOT SCALE PRINT
RELEASE FORCE ----- 1/4 OZ MIN	L23	UNDERWRITERS' LAB. INC. LISTED RATING 20A - 125, 250 OR 480 VAC 10A - 125 VAC "L" 1HP - 125 VAC, 2HP - 250 VAC 1/2A - 125 VDC, 1/4A - 250 VDC	UNLESS OTHERWISE SPECIFIED DIMENSIONS ARE IN INCHES
DIFFERENTIAL TRAVEL ----- .234 MAX	L288 L299 L308	CE D SP	TOLERANCES ARE: ONE PLACE (.0) ±.030 TWO PLACE (.00) ±.015 THREE PLACE (.000) ±.005 ANGLES ±
OVERTRAVEL ----- .297 MIN		20(3)A 250V ~ T85 5E4	WEIGHT